

## Included items:

- 1x Assembled Rear Facing Display Mount Module
- 1x Quick Install Guide
- 1x 2 Feet USB-C Cable
- 1x Bag A: Screw, M4X10, Pan-Head, Cross-Recess, Zinc Plate or SS, QTY. 3
- 1x Bag B: Screw, M4X7, Pan-Head, Cross-Recess, Black, QTY. 4
- 1x Bag C: Cable-Clamp, QTY. 1; Screw, M3X8, Pan-Head, Cross-Recess, Any Plating, QTY. 1



[www.elotouch.com](http://www.elotouch.com)

## Quick Installation Guide

EloPOS

## Rear Facing Display Mount Kit

### Elo Touch Solutions Technical Support

Online self-help:  
[www.support.elotouch.com](http://www.support.elotouch.com)

#### North America

800-ELO-TOUCH  
Tel +1 408 597 8000  
Fax +1 408 597 8050  
[EloSales.NA@elotouch.com](mailto:EloSales.NA@elotouch.com)

#### Asia-Pacific

Tel +86 (21) 3329 1385  
Fax +86 (21) 3329 1400  
[www.elotouch.com.cn](http://www.elotouch.com.cn)

#### Europe

Tel +32 (0)16 70 45 00  
Fax +32 (0)16 70 45 49  
[elosales@elotouch.com](mailto:elosales@elotouch.com)

#### Latin America

Tel 786-923-0251  
Fax 305-931-0124  
[www.elotouch.com](http://www.elotouch.com)



The information in this document is subject to change without notice. Elo Touch Solutions, Inc. and its Affiliates (collectively "Elo") makes no representations or warranties with respect to the contents herein, and specifically disclaims any implied warranties of merchantability or fitness for a particular purpose. Elo reserves the right to revise this publication and to make changes from time to time in the content hereof without obligation of Elo to notify any person of such revisions or changes.

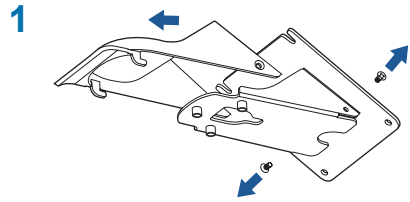
No part of this publication may be reproduced, transmitted, transcribed, stored in a retrieval system, or translated into any language or computer language, in any form or by any means, including, but not limited to, electronic, magnetic, optical, chemical, manual, or otherwise without prior written permission of Elo Touch Solutions, Inc.

Elo (logo) and Elo Touch Solutions are trademarks of Elo and its Affiliates.

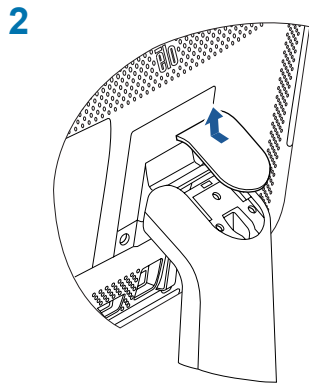


## Installation

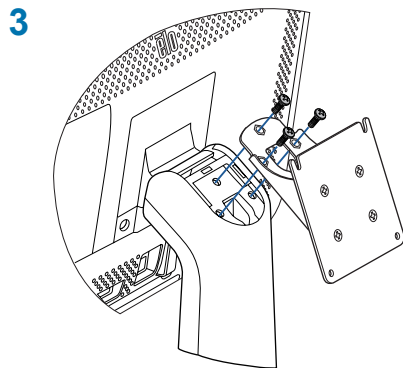
Note: Please use the included USB-C cable for optimal monitor performance.



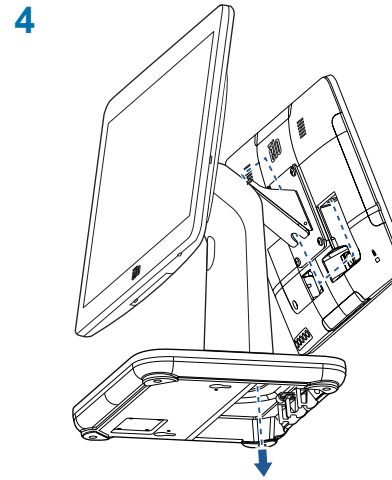
Remove the display bracket cover.



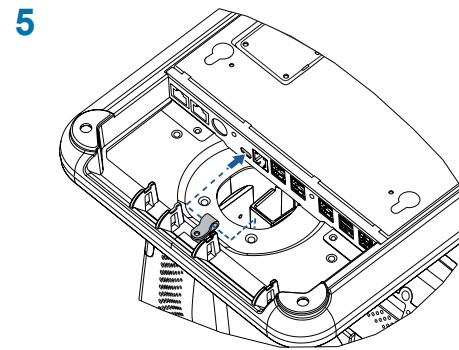
Remove the stand cover.



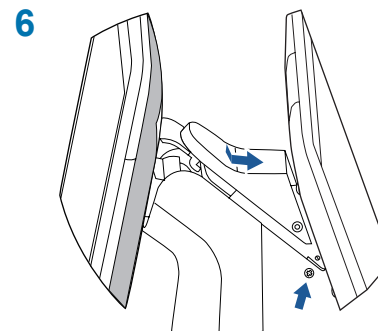
Add the display bracket to the stand using (3) screws from bag A.



Attach a monitor to the display bracket using (4) screws from bag B. Plug in the supplied USB-C cable and route through the stand.



Plug in the USB-C cable to the base and secure with the supplied cable clamp.



Secure the display bracket cover.