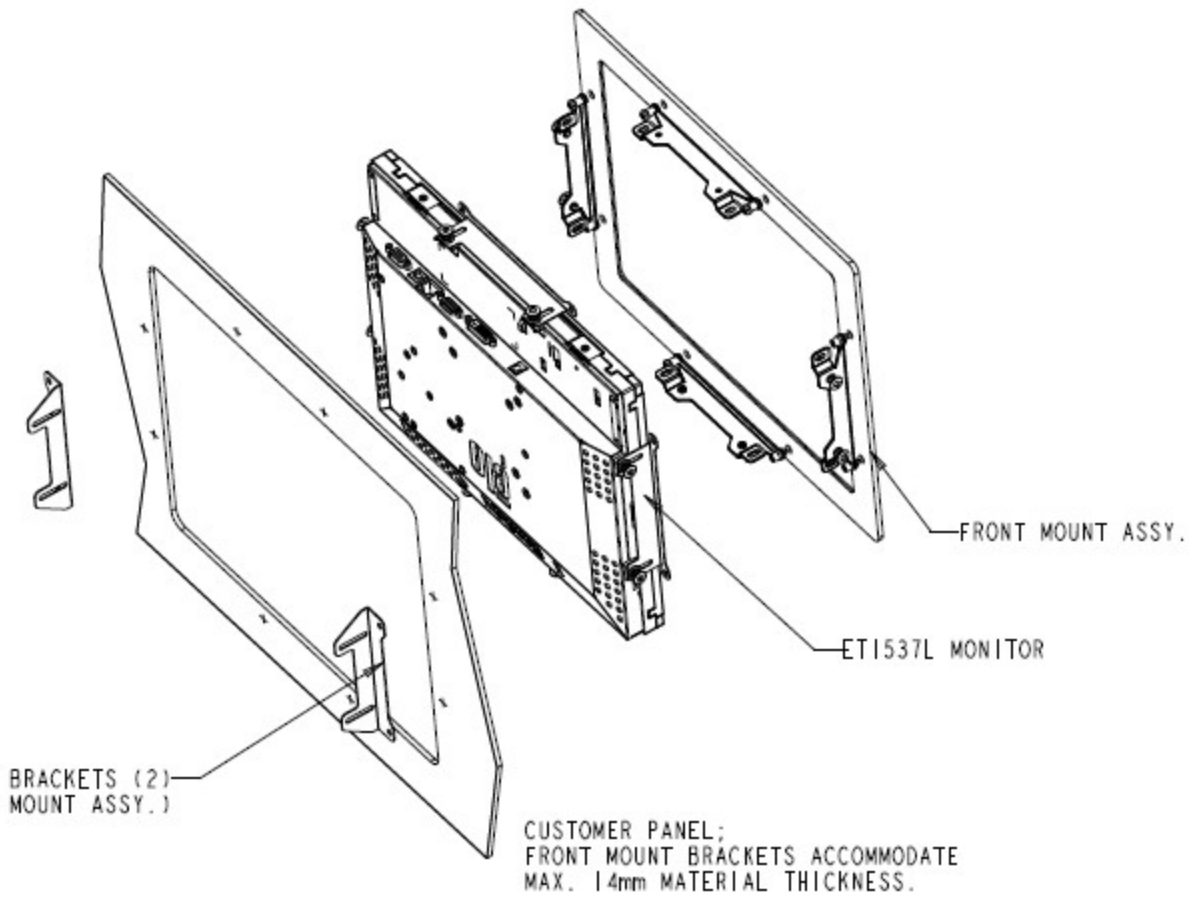
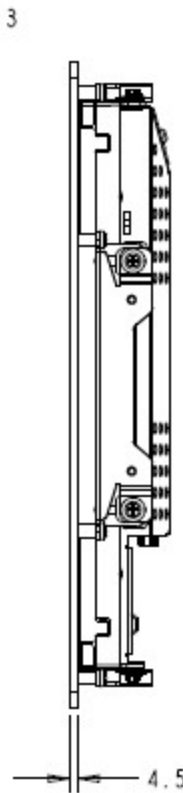
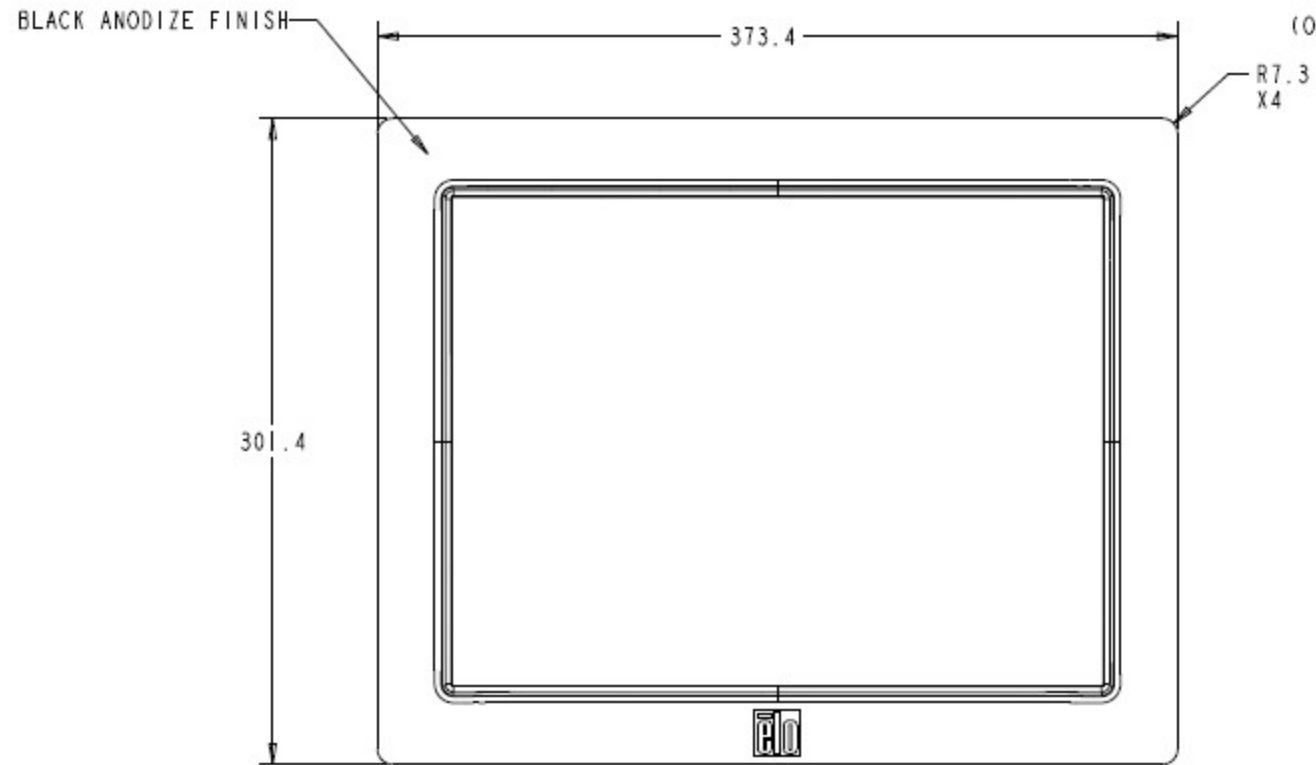


FRONT MOUNT OPTION

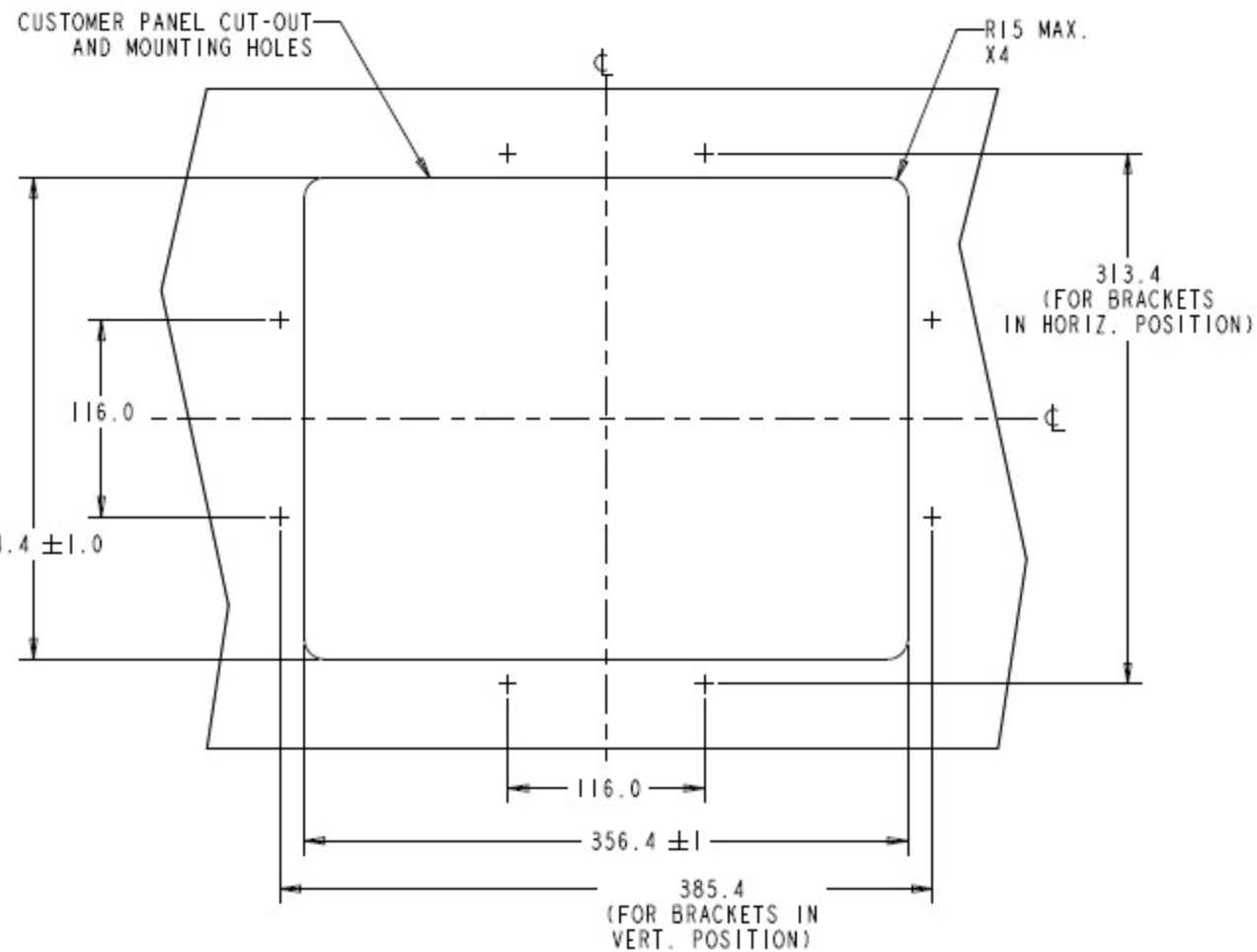
P/N E323425

(ORDERED SEPARATLY, CUSTOMER ASSEMBLED)



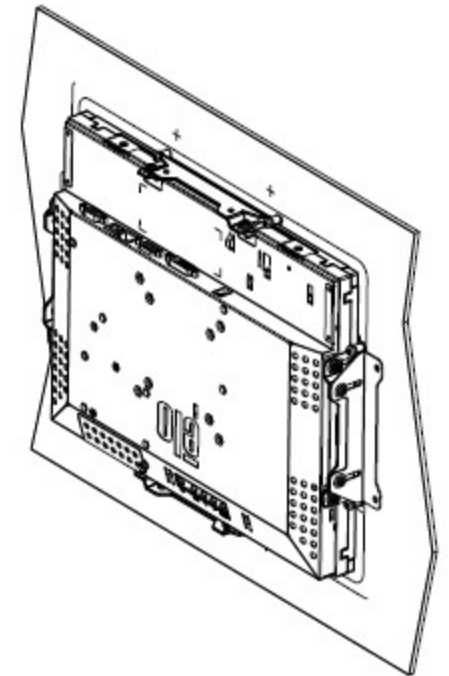
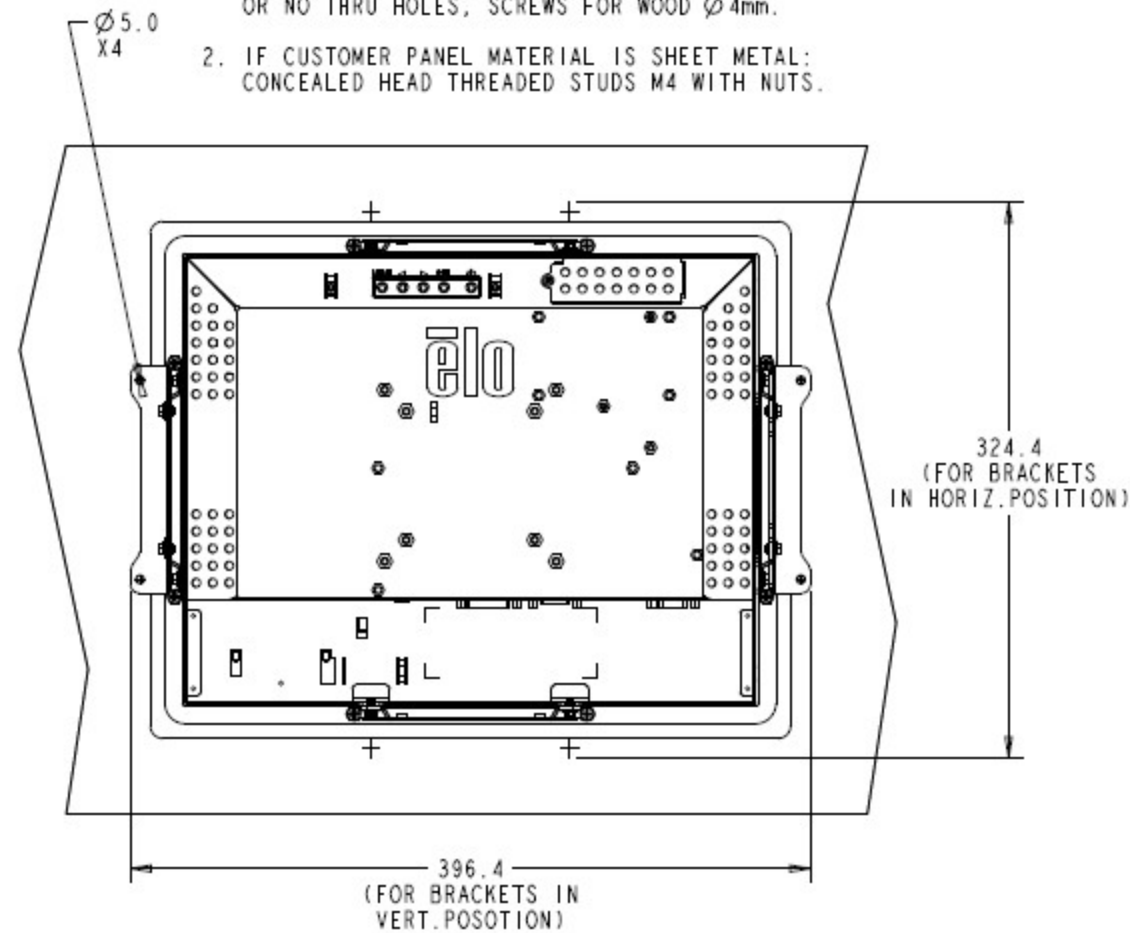
FRONT MOUNT BRACKETS (2)
(INCLUDED WITH FRONT MOUNT ASSY.)

CUSTOMER PANEL;
FRONT MOUNT BRACKETS ACCOMMODATE
MAX. 14mm MATERIAL THICKNESS.



NOTE:

1. IF CUSTOMER PANEL MATERIAL IS WOOD:
Ø 4.5mm HOLES THRU FOR M4 SCREWS,
OR NO THRU HOLES, SCREWS FOR WOOD Ø 4mm.
2. IF CUSTOMER PANEL MATERIAL IS SHEET METAL:
CONCEALED HEAD THREADED STUDS M4 WITH NUTS.



DIMENSIONS ARE IN MILLIMETERS

elo

MS600159

DATE: 08-18-2015

REV: L