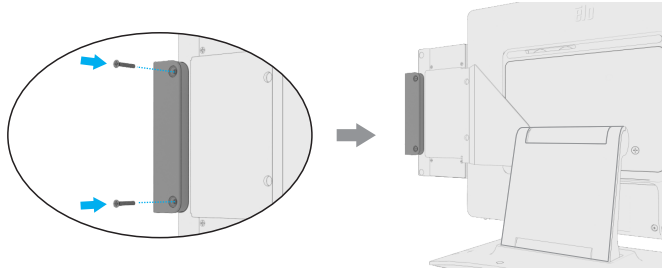
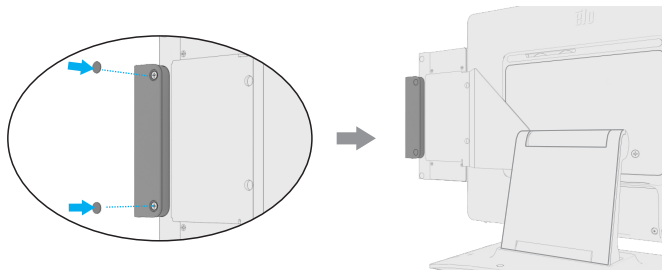


### Step 3:



Install the (2) M3x18mm flat head screws from with the kit.

### Step 4:



Remove the protective film from the included mylar covers and place the covers over the screws.

### Contents:

- 1 x Keypad
- 1 x Cable
- 1 x Bracket for 1523L
- 1 x Bracket for 1723L
- 1 x Keypad Puller
- 1 x Flat Head Screw:M4 x 18mm long
- 2 x Pan Head Screws:M3 x 6mm long
- 4 x Flat Head Screws:M3 x 7mm long

Learn more about Elo at [EloTouch.com](http://EloTouch.com)

#### America

Tel +1 408 597 8000  
EloSales.NA@elotouch.com

#### Europe (EMEA)

Tel +32 16 930 136  
EMEA.sales@elotouch.com

#### Asia-Pacific

Tel +86 (21) 3329 1385  
EloAsia@elotouch.com

The information in this document is subject to change without notice. Elo Touch Solutions, Inc. and its Affiliates (collectively "Elo" ) makes no representations or warranties with respect to the contents herein, and specifically disclaims any implied warranties of merchantability or fitness for a particular purpose. Elo reserves the right to revise this publication and to make changes from time to time in the content hereof without obligation of Elo to notify any person of such revisions or changes.

No part of this publication may be reproduced, transmitted, transcribed, stored in a retrieval system, or translated into any language or computer language, in any form or by any means, including, but not limited to, electronic, magnetic, optical, chemical, manual, or otherwise without prior written permission of Elo Touch Solutions, Inc.

Elo and the Elo logo are either trademarks or registered trademarks of Elo Touch Solutions, Inc. ©2025 Elo Touch Solutions, Inc. All rights reserved.



## Quick Installation Guide

### ELO-KIT-KEYPAD-1523L-1723L

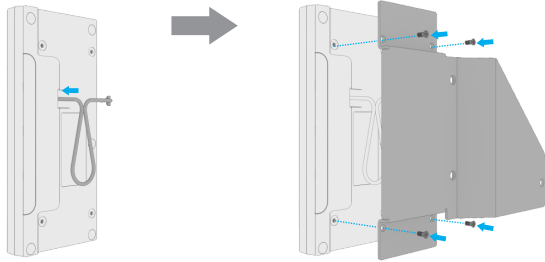
Revision B  
P/N E854039



[www.elotouch.com](http://www.elotouch.com)

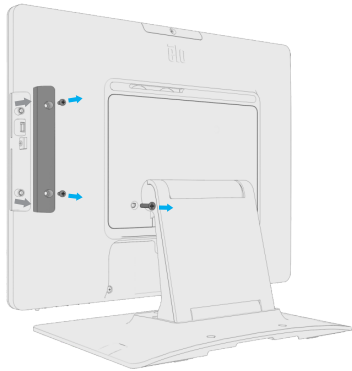
## Installing Keypad

### Step 1:



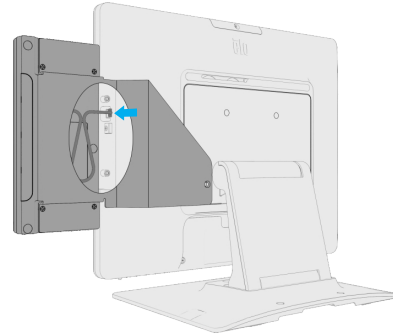
Connect the cable to the keypad. Install the keypad onto the bracket (Select the appropriate bracket compatible with either model 1523L or 1723L). Secure it with the (4) M3 x 7mm flat head screws from the package, as shown.

### Step 2:



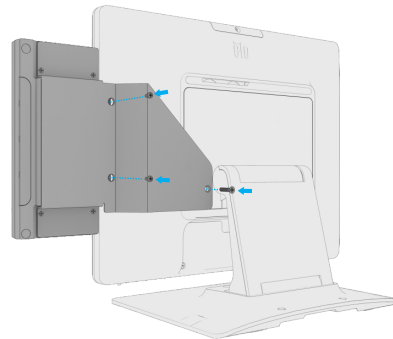
Remove the (2) screws from the peripheral cover and detach the peripheral cover. Then remove the screw from the stand, as shown.

### Step 3:



Connect the cable to the monitor.

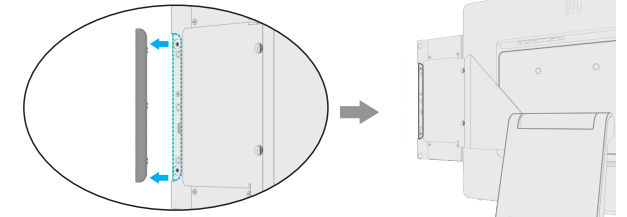
### Step 4:



Install the keypad and bracket onto the monitor. Begin by fastening the (2) M3 x 6mm pan head screws provided in the package, followed by the M4 x 18mm flat head screw. Tighten all screws as shown in the illustration.

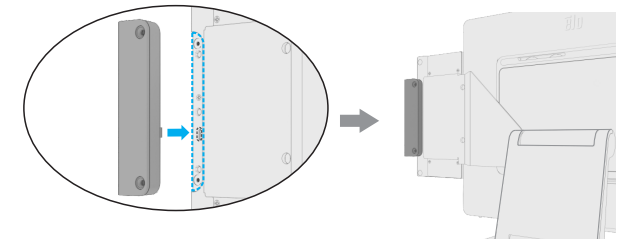
## Installing Optional MSR Edge Connect (E001002)

### Step 1:



Remove the Edge Cover from the keypad to expose the peripheral bay.

### Step 2:



Gently press the MSR into the peripheral bay making sure the connector is mated.